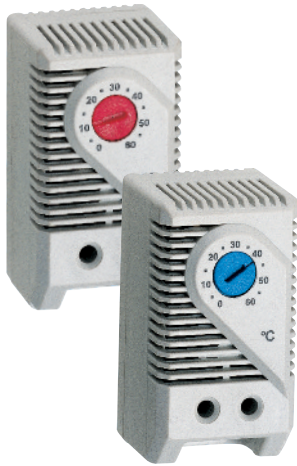


Small, compact Thermostat KTO 011 / KTS 011



Regulating



- Large setting range
- Small size
- Simple to mount
- High switching performance

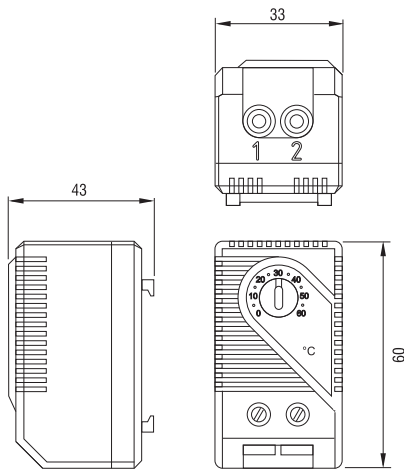
KTO 011: Thermostat (normally closed); contact breaker for regulating heaters.

KTS 011: Thermostat (normally open); contact maker for regulating of filter fans and heat exchangers or for switching signal devised when temperature limit has been exceeded.



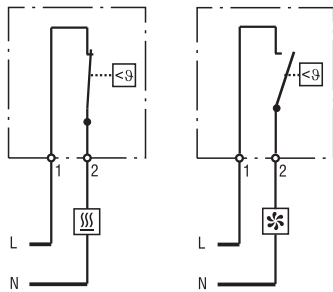
Technical Data

Switch temperature difference	7K (± 4K tolerance)
Sensor element	thermostatic bimetal
Contact type	snap-action contact
Service life	> 100,000 cycles
Max. Switching capacity	250VAC, 10 (2) A 120VAC, 15 (2) A
Connection	DC 30W 2-pole terminal, clamping torque 0.5Nm max.: rigid wire 2.5mm ² stranded wire (with wire end ferrule) 1.5mm ²
Mounting	clip for 35mm DIN rail, EN60715 (or for exit filter EF 118 Series)
Casing	plastic according to UL94 V-0, light grey
Dimensions	60 x 33 x 43mm
Weight	approx. 40g
Fitting position	variable
Operating / Storage temperature	-45 to +80°C (-49 to +176°F)
Operating / Storage humidity	max. 90 % RH (non-condensing)
Protection type	IP20

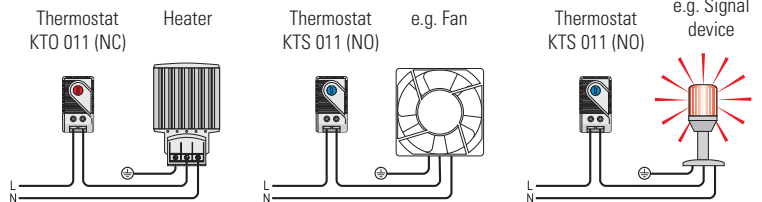
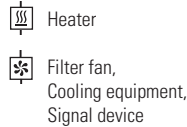


Thermostat KTO 011 (NC)

Thermostat KTS 011 (NO)



Connection diagrams



Examples of connection

Setting range	Art. No. Contact Breaker (NC)	Art. No. Contact Maker (NO)	Approvals
0 to +60°C	01140.0-00	01141.0-00	VDE
-10 to +50°C	01142.0-00	01143.0-00	VDE + UL File No. E164102
+20 to +80°C	01159.0-00	01158.0-00	VDE + UL File No. E164102
+32 to +140°F	01140.9-00	01141.9-00	VDE + UL File No. E164102
+14 to +122°F	01142.9-00	01143.9-00	VDE + UL File No. E164102
0 to +60°C	01146.9-00	01147.9-00	VDE + UL File No. E164102

Specifications are subject to change without notice. Errors and omissions excepted. Suitability of this product for its intended use and any associated risks must be determined by the end customer/ buyer in its final application.