



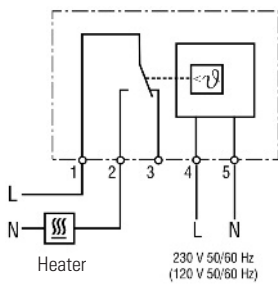
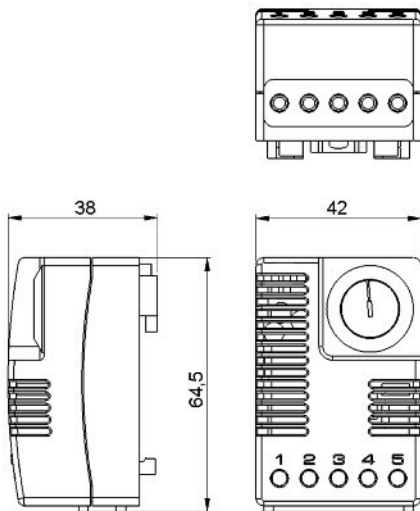
- Large setting range
- Small hysteresis
- Optical operating display (LED)
- Change-over contact
- Clip fixing

The electronic thermostat is used for controlling heating and cooling equipment, filter fans or signal devices. The thermostat registers the surrounding air and can switch both inductive and resistive loads via relay with change-over contact. The LED integrated in the adjustment knob is lit when the NC contact is closed (e.g. when a connected heater is operating).

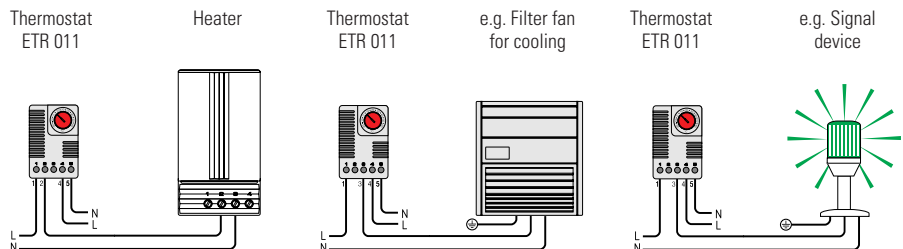


Technical Data

Switch difference	4K (± 1K tolerance) at 20°C/68°F
Sensor element	NTC
Reaction time	5 sec.
Contact type	change-over contact (relay)
Service life	> 50,000 cycles
Max. switching capacity (relay output)	240VAC, 8 (1.6) A 120VAC, 8 (1.6) A 24VDC, 4A
Optical indicator	LED
Connection	5-pole terminal, clamping torque 0.5Nm max.: rigid wire 2.5mm ² stranded wire (with wire end ferrule) 1.5mm ²
Mounting	clip for 35mm DIN rail, EN 60715
Casing	plastic according to UL94 V-0, light grey
Dimensions	64.5 x 42 x 38mm
Weight	approx. 70g
Fitting position	vertical
Operating / Storage temperature	-40 to +85°C (-40 to +185°F)
Operating / Storage humidity	max. 90 % RH (non-condensing)
Protection type	IP20



Connection diagram



Examples of connection

Art. No.	Operating voltage	Setting range	Approvals
01131.0-00	230VAC, 50/60Hz	-20 to 60°C	VDE + CSA-US
01131.9-00	120VAC, 50/60Hz	-4 to 140°F	CSA-US