

ELECTRONIC HYGROTHERM WITH EXTERNAL SENSOR

ETF 012



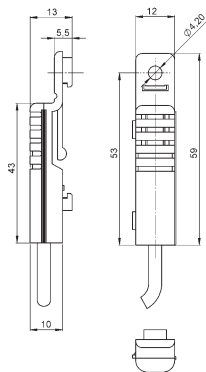
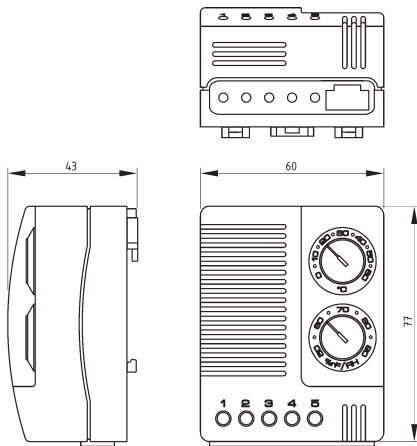
- > Temperature and humidity adjustable
- > Wide voltage range
- > Operating temperature down to -40°C
- > High switching capacity
- > With external sensor

The electronic hygrotherm senses the ambient temperature and relative humidity in an enclosure with electric/electronic components and turns on a heater (or alternatively a fan) at either set point, helping prevent the formation of condensation in the enclosure. Due to its wide voltage range the hygrotherm can be utilised anywhere in the world. The external sensor can be positioned freely anywhere in the enclosure for precise measurements.



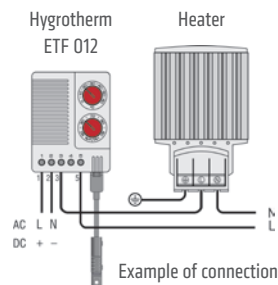
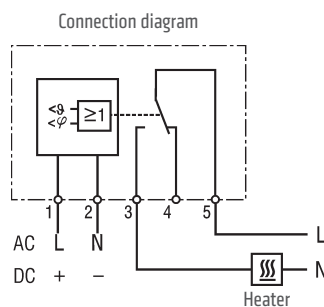
TECHNICAL DATA

Switch difference (temperature)	2K (±1K tolerance) at +25°C (+77°F), 50% RH
Switch difference (humidity)	4% RH (±1% tolerance) at +25°C (+77°F), 50% RH
Reaction time (humidity)	approx. 5 sec.
Contact type	change-over contact (relay)
Service life	VDE: NO/NC > 15,000 cycles UL: NO/NC > 30,000 cycles
Max. switching capacity (relay output)	240VAC, 10 (1.6) A 60VDC, 0.6A ¹
Max. inrush current	AC 30A for 10 sec.
Optical indicator	LED
Connection	5-pole terminal, clamping torque 0.5Nm max.: rigid/stranded ² wire 2.5mm ² (AWG 14)
Mounting	clip for 35mm DIN rail, EN 60715
Casing	plastic according to UL94 V-0, light grey
Dimensions	77 x 60 x 43mm
Weight	approx. 0.2kg
Fitting position	vertical
Operating/Storage temperature	-40 to +60°C (-40 to +140°F)
Operating/Storage humidity	max. 90% RH (non-condensing)
Protection type	IP20
Approvals	VDE, UL File No. E164102, EAC



¹ not UL confirmed

² When connecting with stranded wires, wire end ferrules must be used.



Art. No. Cable 1m	Art. no. Cable 2m	Operating voltage	Setting range temperature	Setting range humidity
01231.0-00	01231.0-01	100-240VAC, 50/60Hz (min. 90VAC, max. 265VAC)	0 to +60°C	50 to 90% RH
01231.9-00	01231.9-01	100-240VAC, 50/60Hz (min. 90VAC, max. 265VAC)	+32 to +140°F	50 to 90% RH
01231.1-00	01231.1-01	24-48VDC (min. 20VDC, max. 60VDC)	0 to +60°C	50 to 90% RH